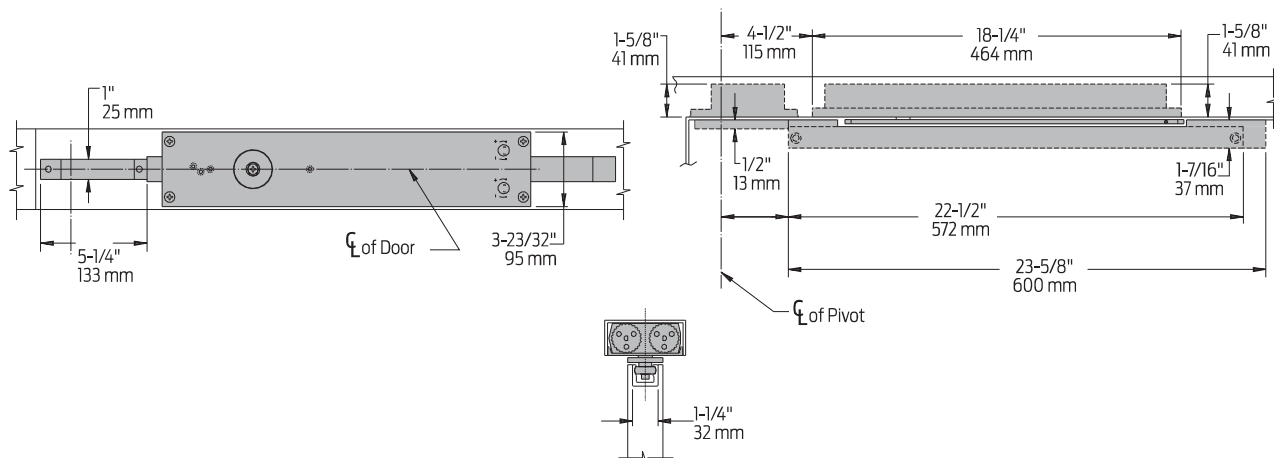


6030 Series

Mounting details

Concealed Mounting



Auxiliary Stop	Recommended where a door cannot swing 95°
Center Pivot Set	Must be used but ordered separately
Door Width	30" (762 mm) minimum with 1-3/4" (44 mm) pivot centers
Top Rail	<ul style="list-style-type: none"> ■ 1-7/16" (36 mm) mortise required ■ 3/8" (10 mm) cutout required at top of the door, both sides.
Door Thickness	1-3/4" (44 mm) minimum
Centering Adjustment	Centering is provided by rotating the track roller to center the door in the opening.
Wood Frame	<ul style="list-style-type: none"> ■ Installation simplified by WOOD MOUNTING CLIP SET, 6030-416 ■ Consult product support for special template
Maximum opening	<ul style="list-style-type: none"> ■ Center pivot template allows 95° ■ Adjustable hold-open points from 85° to 95°, with hold-open track

Notes:

- For interior or exterior doors
- Double acting cylinder in cased frame
- Concealed arm and track in door top rail
- Center pivots only